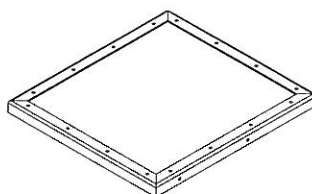


# MBK302S Installation Manual

## COMPONENTS

MBK310 FX Series fly frame

1x



MBK318 Side board set for FX1.18

2x



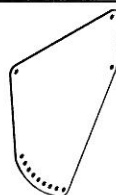
MBK315 Side board set for FX3.15

2x



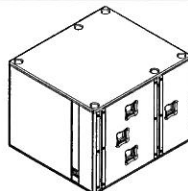
MBK320 Connection board set 20°-60°

2x



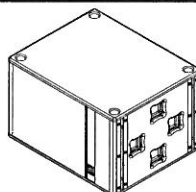
FX1.18 Loudspeaker cabinet  
(not included with MBK302S)

1x



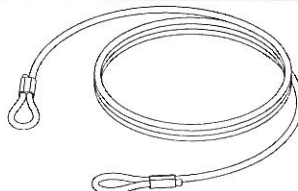
FX3.15 Loudspeaker cabinet  
(not included with MBK302S)

1x



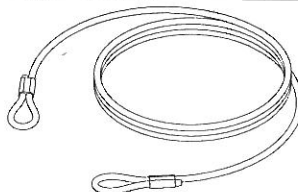
Steel safety wire Ø 8 mm - 3250 mm  
(not included with MBK302S, to be sourced locally because of local legislation)

1x



Steel safety wire Ø 8 mm - 3150 mm  
(not included with MBK302S, to be sourced locally because of local legislation)

1x



Bow shackle 1.5ton  
(not included with MBK302S, to be sourced locally because of local legislation)

2x



ISO 4762 - M10 x 20 mm + DIN 7980 - M10

12x



# MBK302S Installation Manual

---

## IMPORTANT SAFETY INSTRUCTIONS

### **READ FOLLOWING INSTRUCTIONS FOR YOUR OWN SAFETY**

---

Read these instructions and keep them. Never throw them away

Heed all safety warnings

Follow all instructions

#### **Personnel qualification**

Installation and set-up should only be carried out by qualified personnel that are familiar with rigging techniques and safety recommendations that are outlined in this manual.

#### **System parts and rigging instruction**

All system components must be inspected before use, in order to detect any possible defects. Any part showing any sign of defect must immediately be put aside and withdrawn from use to be inspected by qualified service personnel.

#### **Additional rigging equipment**

Only use rigging and mounting accessories which are specified by the manufacturer of this mounting bracket. It is the users responsibility to ensure that the working load limit of additional accessories is greater than the total weight of the loudspeaker assembly.

#### **Suspension points**

It is the users responsibility to ensure that the suspension points can support the total weight of the loudspeaker assembly.

#### **Local regulations**

Some countries require higher safety factors and rigging approvals. Always follow the local regulations, even if otherwise specified in this instruction manual. It is the users responsibility to guarantee that all mountings and connections are made in accordance with all applicable local regulations.

#### **Flying a loudspeaker assembly**

Always ensure that nobody is standing underneath the loudspeaker assembly when it is being raised. Never leave the system unattended during the installation process.

#### **Dynamic load**

When a loudspeaker assembly is deployed in an open air environment, wind effects should be taken into account. Wind can produce dynamic stress to the bracket components and suspension points.

#### **Periodic inspection**

If all the system components are inspected and approved before use and installed as described in this manual, they will remain fully operational over the systems lifetime. However, an annual system inspection of the system and especially the suspension points shall be performed by qualified personnel to check for any defects caused by external influences.

### **CE DECLARATION OF CONFORMITY**

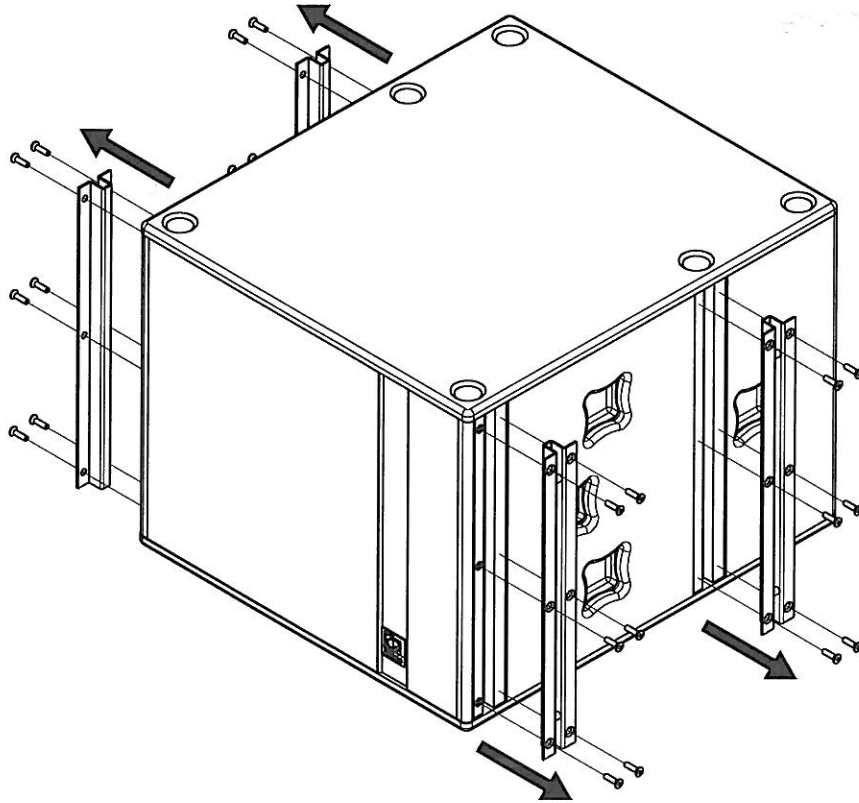
---

This product conforms to all the essential requirements and further relevant specifications described in following directives:  
2006/42/EC Machinery directive

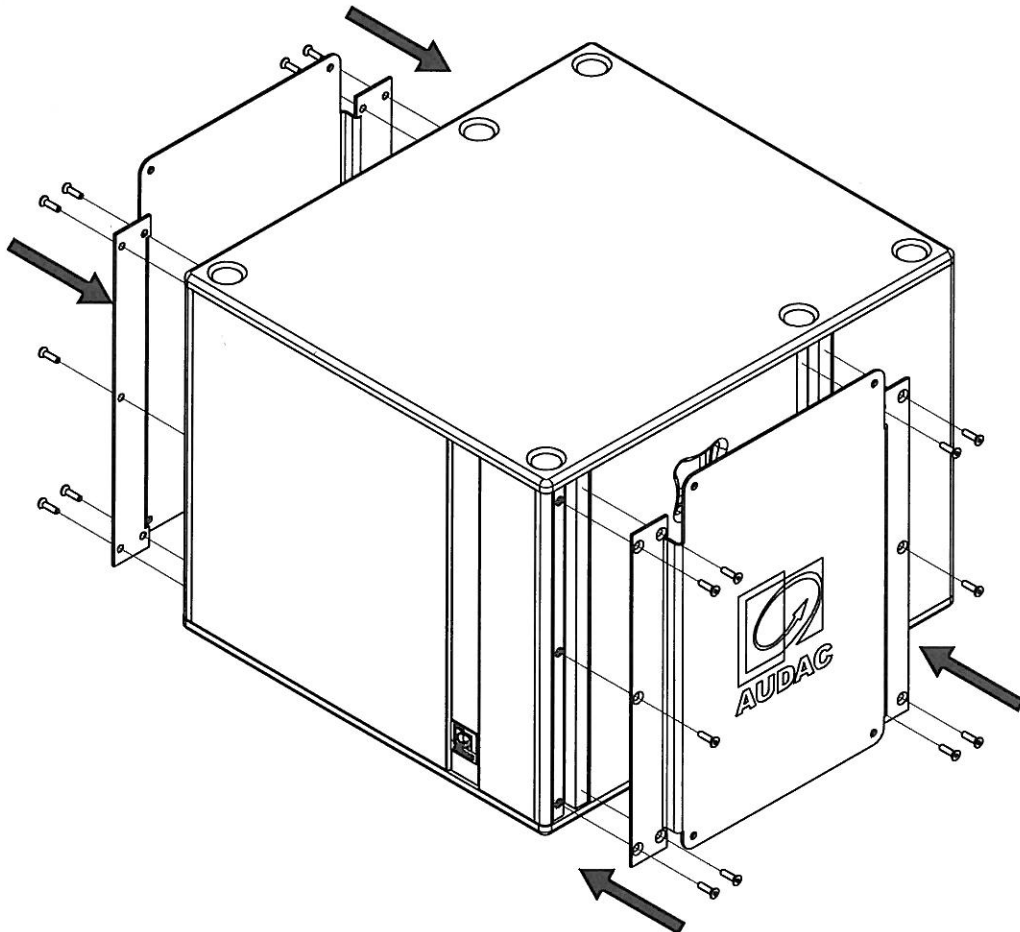
# MBK302S Installation Manual

## PROCEDURE

- 1 Remove the U-profiles from FX1.18 and FX3.15 cabinets at both sides. Keep the bolts nearby because you will need them in step 2.

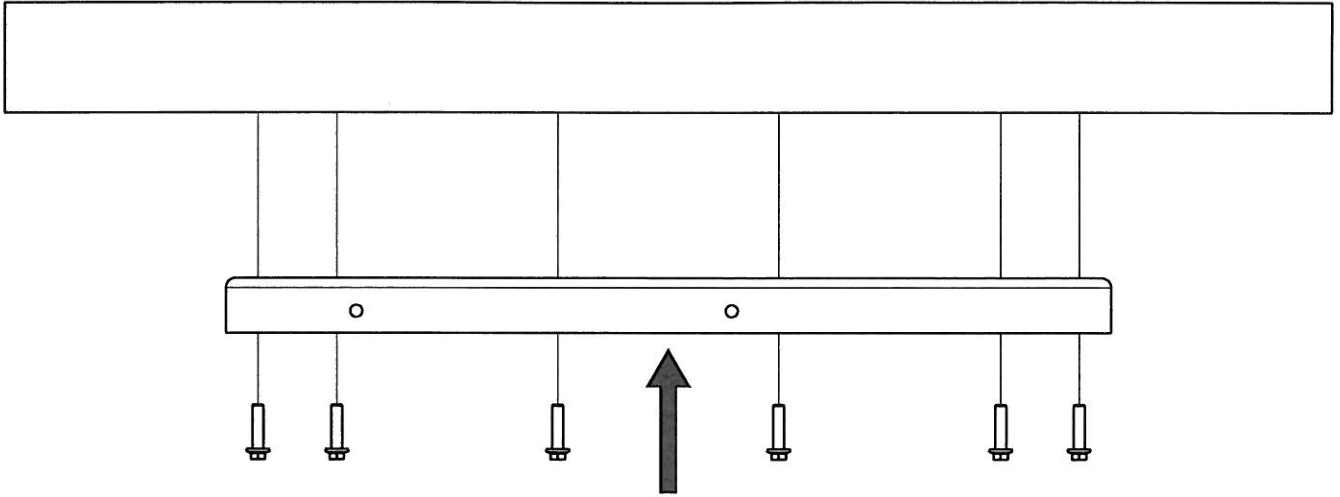


- 2 Mount the FX1.18 side plates to the FX1.18 cabinet and the FX3.15 side plates to the FX3.15 cabinet. You can use the bolts that were removed in step 1.

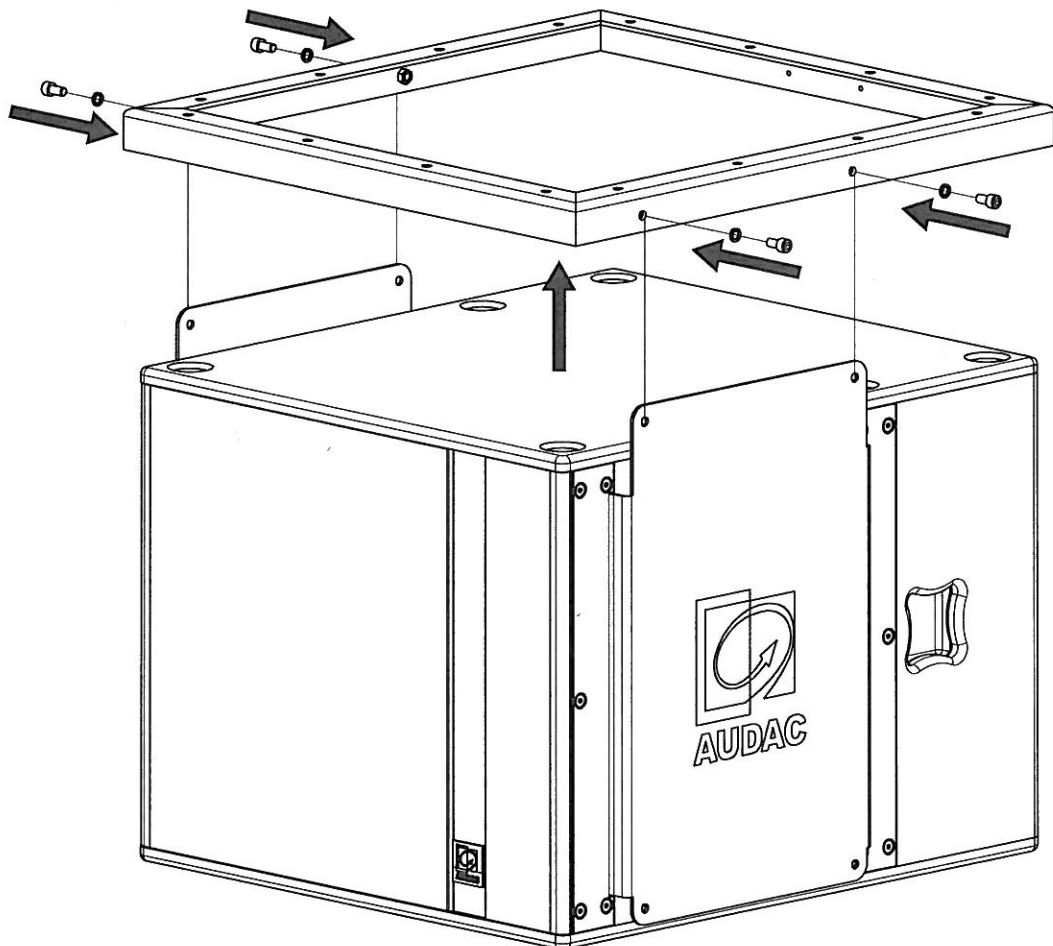


# MBK302S Installation Manual

- 3 Mount the frame onto the ceiling.

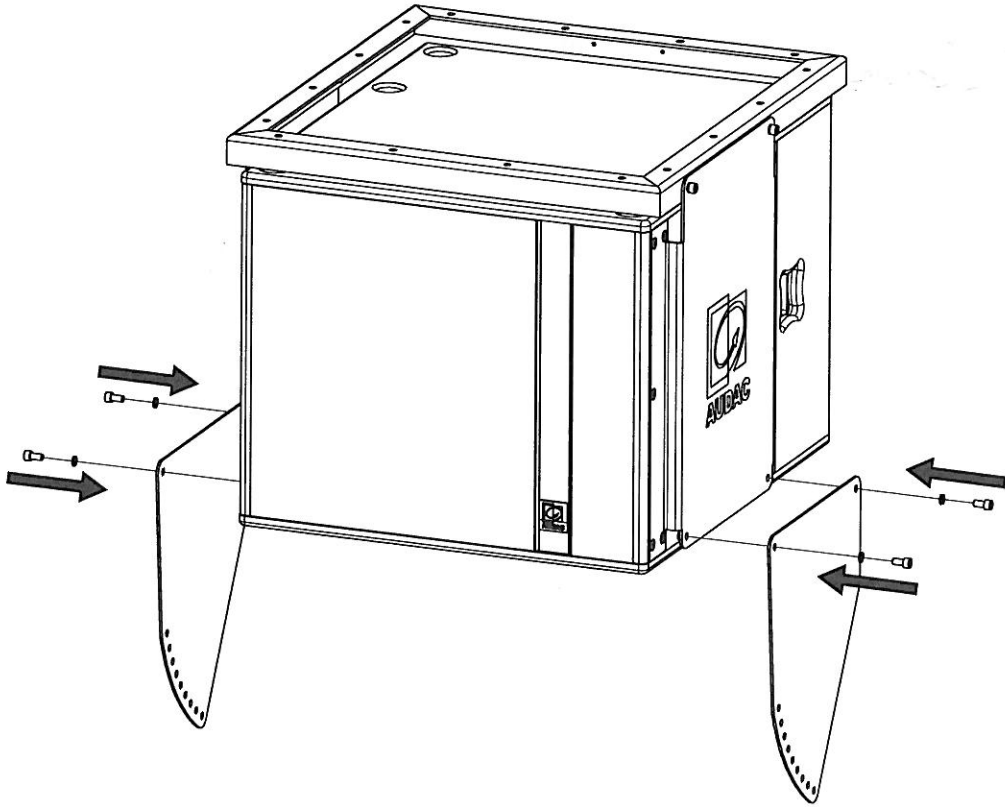


- 4 Slide the FX1.18 side plates around the frame and secure them with 4x ISO 4762 M10 x 20mm bolts and 4x DIN 7980 M10 spring lock washers.

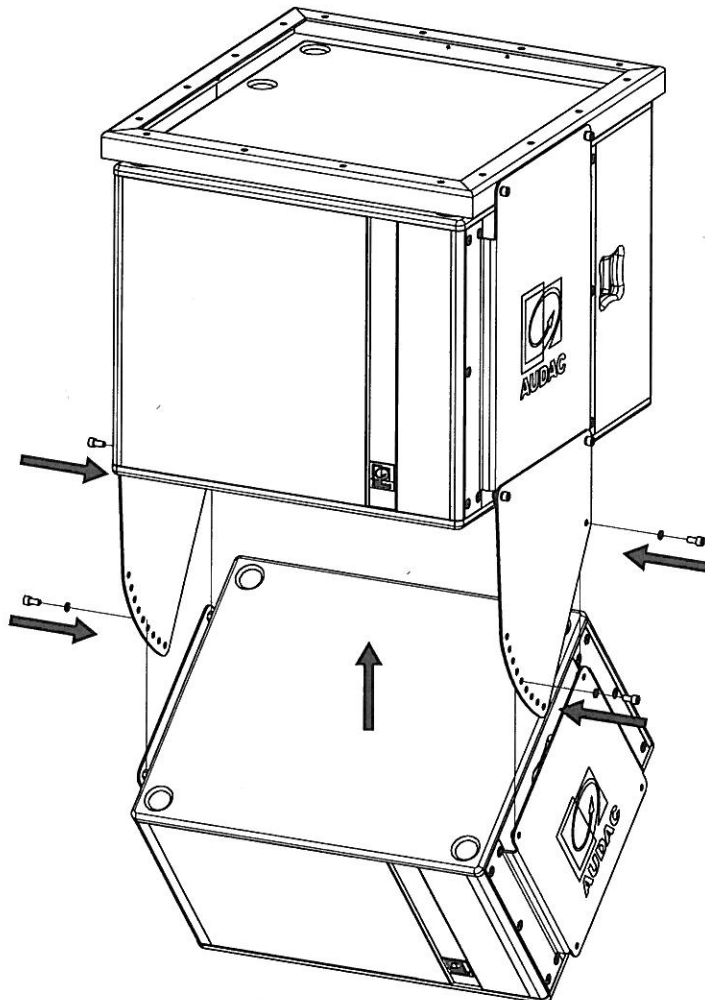


# MBK302S Installation Manual

- 5 Attach the angle adjustment plates to the FX1.18 side plates using 4x ISO 4762 M10 x 20mm bolts and 4x DIN 7980 M10 spring lock washers.



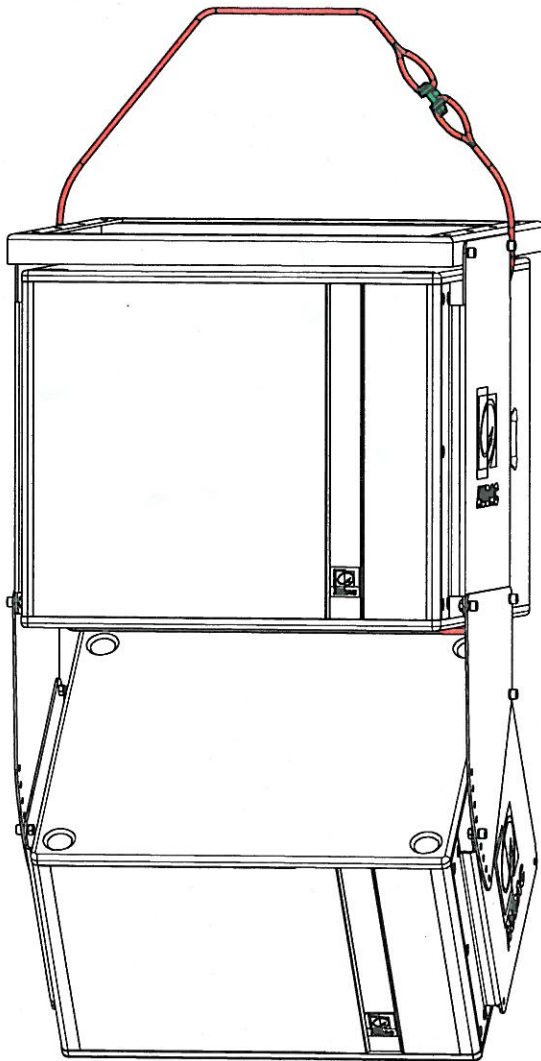
- 6 Slide the FX3.15 side plates between the angle adjustment plates and secure them in the right angle using 4x ISO 4762 M10 x 20mm bolts and 4x DIN 7980 M10 spring lock washers.



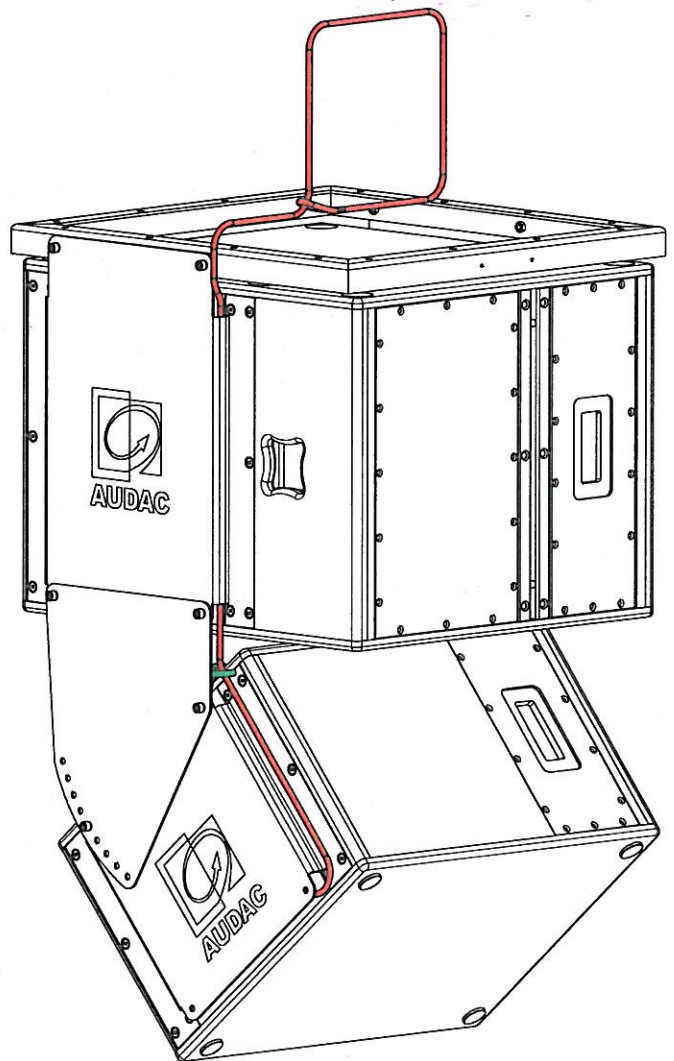
# MBK302S Installation Manual

- 7 Use certified steel cables and shackles to secure the speaker cabinets. Below you can see an example of how to do this.

**!BEWARE!** Make sure the supporting structure is strong enough to bear the weight of speakers and bracket.



Example steel safety bass cabinet



Example steel safety top cabinet