

► Features

- Compatible with 12-space CASY chassis
- Tension relief bar for fixation of cabling
- 1.5 mm cold rolled steel construction
- Structured and scratch resistant black powder coating
- Assembly screws included



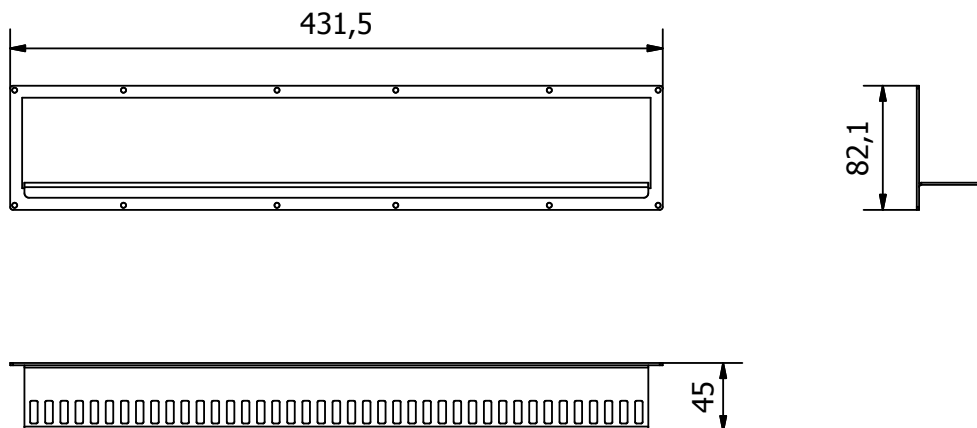
► Description

The CASY021 is a strain relief which can be fitted to any 12-space main chassis from the CASY series. It features a tension relief allowing cable fixation over the entire width. This guarantees a clear cabling overview with reliable connections, even in mobile applications and situations where connections are regularly touched and re-plugged.

The fixation of the CASY021 to any 12 space main chassis is done using the included M3 screws. The construction is made out of cold-rolled steel and finished in a black (RAL9004) structured and scratch resistant powder coating.

CASY
series

► Technical Drawing



► Specifications

PROPERTY	VALUE
Width	431,5 mm (12 space)
Height	82,1 mm
Depth	45 mm
Weight	Kg
Construction	Cold rolled steel
Mounting	Screw assembly to 12 space chassis
Finishing	Structured powder coat
Colour	Black (RAL9004)