

► Features

- Stores up to 3 units of 19" equipment belongings
- Full extension ball bearing drawer slide
- Drawer slide coupling allowing removal
- Solid cold rolled steel construction
- 1.8 mm front, 1.5 mm frame and 1.2 mm tray plate thickness
- Slam lock
- Available with (RD312L) or without (RD312) key lock



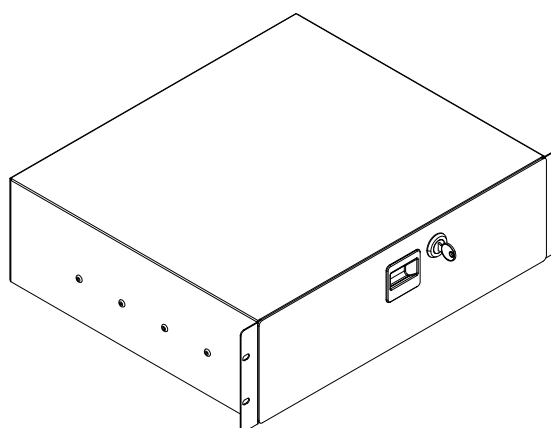
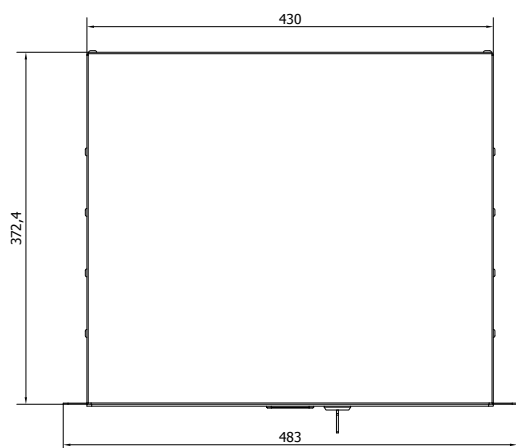
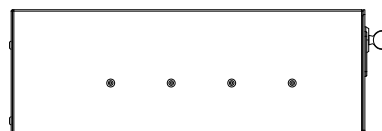
► Description

The RD312(L) are three rackspace 19" rack drawers constructed of cold rolled steel, finished in a black (RAL 9004) powder coating. The fine structured finish guarantees a high scratch resistance, while the construction composed of a 1.5 mm frame, 1.8 mm front panel and 1.2 mm tray offers an optimal strength and stability.

These rack drawers can be used for storage of any belongings related to the rack mounted equipment, such as: cables, microphones, wireless transmitters, headsets, remote controls, instruction manuals, etc.

The high quality full extension ball bearing drawer slide with decoupling mechanism allows removal of the drawer. Available with (RD312L) or without key lock (RD312).

► Technical Drawing



► Specifications

PROPERTY	VALUE
Unit Height	3 HE
Outside dimensions (H x W x D)	132,5 x 483 x 372,4 mm
Inside dimensions (H x W x D)	123,3 x 399,2 x 360 mm
Weight	6,48 Kg (RD312) 6,59 kg (RD312L)
Color	Black (RAL 9004)
Types	RD312 (without keylock) RD312L (with keylock)