

► Features

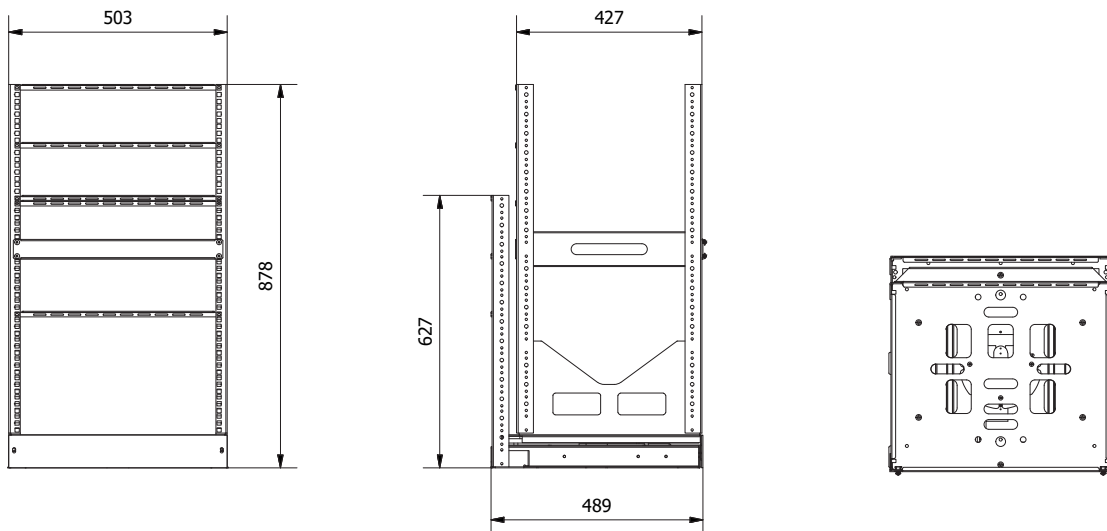
- In-wall / furniture integration for 19" equipment
- Stores up to 18 units of 19" equipment
- HexaSlide™ extending equipment bay
- Retracted and extended position locking
- Cable management rear supports
- Max load capacity of 60 Kg
- Punched square holes for use with snap-in cage nuts
- Ships as assembly package (2 cartons)

► Description

The GPR418 is a professional and solid constructed slide-out rack for 19" equipment compliant to ANSI/EIA RS-310D, DIN41491 and IEC60297 standards. It offers a flush mount solution for installation up to 18 units of equipment. The HexaSlide™ extending equipment bay combined with cable management rear supports allows rack integration into walls or furniture, while keeping the rear side of the equipment accessible for maintenance and servicing. Position locking in extended position with rotation angles for 45° and 90° allows easy fitting for the equipment, while locking in retracted position offers optimal security and stability for permanent installation. The construction is made of 3.0 mm thick steel profiles and finished in a black (RAL9004) powder coating with fine structure and printed unit measurement indicators.



► Technical Drawing



► Specifications

PROPERTY	VALUE
Unit height	18 HE
Max usable depth	425 mm
Max load	60 kg
Width	503 mm
Depth	489 mm
Height	878 mm
Weight	kg
Rack color	Black (RAL 9004)

► Included Accessories

ARTICLE	QUANTITY
Cage nuts + screws	24

► Optional Accessories

ARTICLE	DESCRIPTION
KM600A	Cage nuts
KS600	Screws for cage nuts

► Architects' and Engineers' Specifications

The rack shall be a 19" slide-out rack type suitable for flush mount installation use which complies to ANSI/EIA RS-310D, DIN41491 and IEC60297 standards with 18 usable rackspaces. It shall have the following dimensions: height 878 mm, width 503 mm and depth 489 mm with a weight of kg.

The rack shall allow in-wall and in-furniture installation for 19" equipment, featuring an HexaSlide™ extending equipment bay which can be locked in extended position and rotated over 45° and 90° angles for easy fitting of the equipment. In retracted position, it shall be lockable for optimal stability and security in permanent installation. Supports on the rear sides shall guide connection cables when extending the equipment bay.

The frame of the rack shall be constructed out of cold rolled steel with a thickness of 3.0 mm, while punched square holes for use with snap-in cage nuts shall be provided for fixation of the equipment. The finishing shall be done in a textured black powder coating (RAL9004) color and have printed unit measurement indicators.

The rack shall ship as an assembly kit consisting of two packages and provide a static load capacity of 60 kg.