

MTX48

Multi-Zone Audio Matrix

AUDAC

► Features

- 4 x 8 Audio Matrix System
- 2 Mic inputs with Phantom & Priority
- 4 Stereo line inputs
- 4 Stereo balanced zone outputs
- Fully functional integrated web server
- iPad & iPhone control apps
- TCP/IP and RS232 control ports
- Optional wall panels for audio input & control
- Optional paging console

► Applications

- Restaurants, Clubs, Bars
- Theaters, Hotels
- Office buildings,
- Conference facilities, Houses of worship
- Professional offices, Public buildings
- Private houses, Libraries



The MTX series are AUDAC's series of very cost efficient audio matrix systems for a wide area of Multi-Zone audio applications, offering two different models with the same features and possibilities, but with different zone capacities.

The MTX48 is the four-zone version of the MTX series, containing two balanced microphone inputs with priority function, phantom power possibility and three-band tone control. Four stereo line-level inputs are provided where to any line-level music source such as a CD-player, Tuner or MP3 player, ... can be connected. The other two inputs of the matrix are the additional wall panel inputs for both line and microphone signals.

What makes the MTX system superior to all other matrix systems in their range, are the advanced control possibilities.

The MTX can be controlled by means of additional control panels for every specific zone, with or without additional audio inputs. It also features a fully functional web based interface whereby the audio system can be controlled and configured from any device connected in your LAN network by just using a standard web browser, while the apps for iPhone and iPad enable you to control the MTX out of your pocket. The RS232 control port makes it possible to control it by means of any external equipment such as home & industrial automation systems supporting RS232.

The front panel of the MTX shows for every zone a rotary button with indication LED's whereby all the controls and settings can be done. A built-in PFL loudspeaker makes it possible to pre-listen every channel without the need for a headphone.

The balanced line-level zone outputs are performed using 3-pin Euro-terminal block connectors, each of them accompanied with an RJ45 connector for connecting additional wall panels for that zone.

A 24 volts power connection makes it possible to keep the MTX running on emergency power, even if the mains power is shut down.

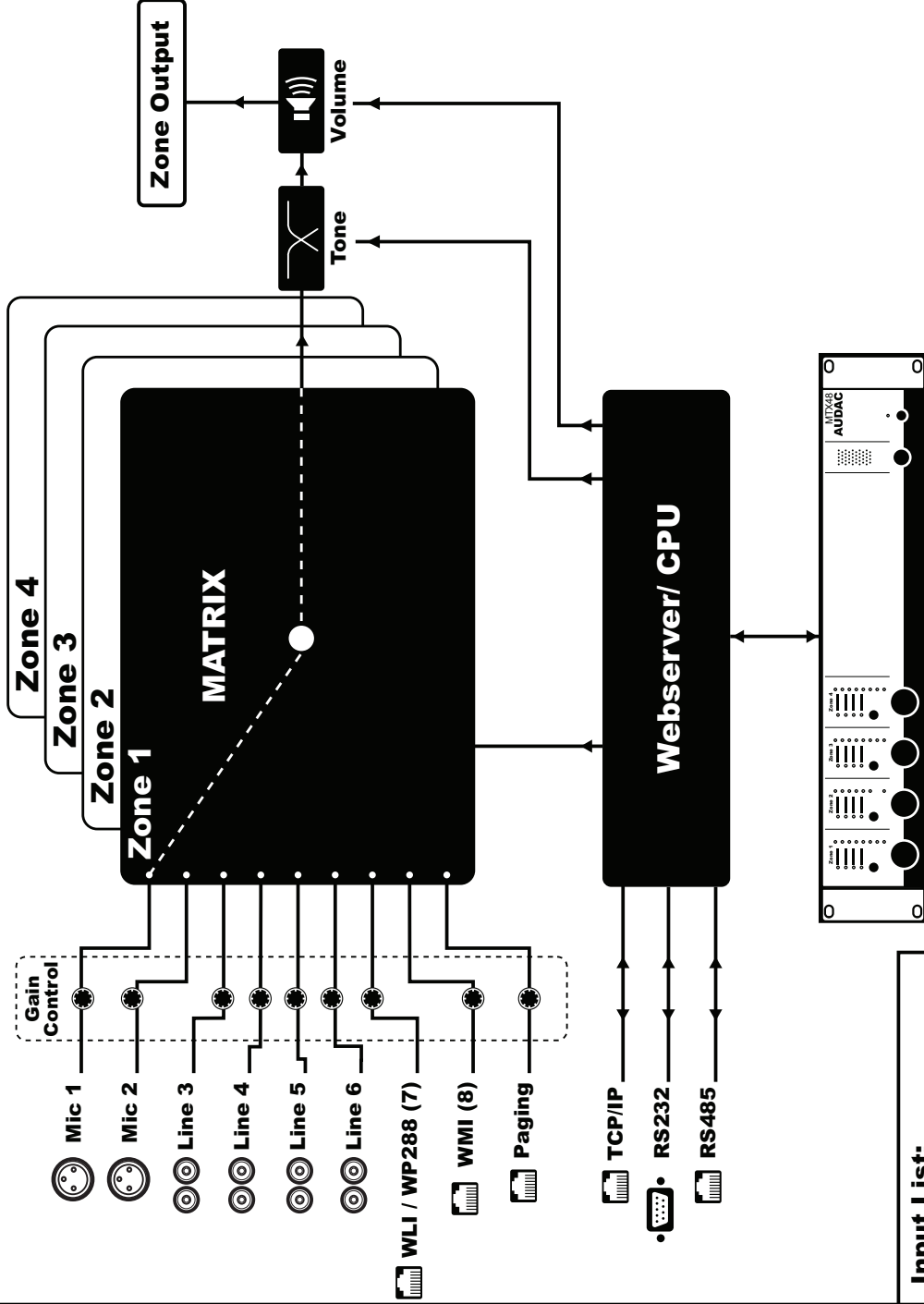
Compatible optional peripherals:

- WLI18/22: Wall Panel Line input
- WMI18/22: Wall Panel Microphone Input
- MWX43/45: Wall Panel controller
- MWX65: All-in-one Wall Panel

► Specifications

SYSTEM SPECIFICATIONS			
Inputs		2 x Balanced Microphone (XLR) 4 x Stereo Unbalanced Line (RCA) 4 x Wall panel input (RJ45)	
Outputs		4 x Stereo Balanced Line (3-pin Euro Terminal Block - 3.81 mm)	
Input sensitivity Mic		0 dB ~ -50 dB	
EQ Input Mic 1-2	High	12.5 kHz	±15 dB
	Mid	2.5 kHz	±15 dB
	Low	80 Hz	±15 dB
Phantom power Mic		15 V DC	
Input sensitivity Line		-14 dB ~ +9 dB	
Output impedance		51 Ohm	
Output level		-70 dB ~ 0 dB	
EQ output	Treble	2.5~20 kHz	±14 dB
	Bass	100 Hz	±14 dB
Frequency response		20 Hz - 20 kHz	
Signal / Noise ratio	Mic	> 80 dB	
	Line	> 100 dB	
THD + N	Mic	< 0.05 dB	
	Line	< 0.01 dB	
Crosstalk		-85 dB	
Control possibilities		Front panel RS232 / TCP/IP Wall panel (RS485) iPhone / iPad / Integrated website	
Power supply		100 ~ 240 V AC / 50 ~ 60 Hz 24 V DC (emergency power)	
Power consumption		9 Watt	
PRODUCT FEATURES			
Dimensions (Width x Height x Depth)		482 x 88 x 335 mm	
Weight net		6.24 Kg	
Unit height		2 HE	
SHIPPING & ORDERING			
Packaging		Carton box	
Shipping weight and volume		xxx Kg - xxx Cbm	
*AUDAC reserves the right to change specifications without notice: this is part of our policy to continually improve our products			

MTX48 Block Diagram



Input List:

- 8 • WMI input (Wall Panel in)
- 7 • WLI / WP288 (Wall Panel in)
- 6 • Line Input 6
- 5 • Line Input 5
- 4 • Line Input 4
- 3 • Line Input 3
- 2 • Microphone Input 2
- 1 • Microphone Input 1



AUDAC
www.audac.eu

Configuration Controls:

Priority 1 Enable / Volume (per zone)

- Priority message from Mic 1 input will be announced to priority-enabled zones
- Set LED to 'Volume'.
- Hold rotary button for 3 seconds. (Volume LED starts blinking)
- Priority can be enabled and volume can be set by rotating the button
- Push button once to return back to main menu

Priority 2 Enable / Volume (per zone)

- Priority message from Mic 2 input will be announced to priority-enabled zones
- Set LED to 'Routing'.
- Hold rotary button for 3 seconds. (Routing LED starts blinking)
- Priority can be enabled and volume can be set by rotating the button
- Push button once to return back to main menu

Paging Volume (per zone)

- Zone volume for paging message from external paging console can be set
- Set LED to 'Bass'.
- Hold rotary button for 3 seconds. (Bass LED starts blinking)
- Paging volume can be set by rotating the button
- Push button once to return back to main menu

Mono/ Stereo Output (per zone)

- Output signal for each zone can be switched between Mono / Stereo
- While powering-up the device, hold the rotary button for Zone 1.
- Mono / Stereo settings menu will be enabled
- Toggling between Stereo / Mono using each zones' rotary button.
- LED 1: Zone set to Mono
- LED 2: Zone set to Stereo
- Power off and Power on the device to go back to normal operation mode

Set Wall Panel Address

- Connected wall panels can be assigned to one zone
- Set LED for corresponding zone to 'Treble'.
- Hold rotary button for 3 seconds. (All connected wall panels start blinking)
- Press upper button from wall panel to assign this wall panel to corresponding zone
- Repeat this action to assign multiple wall panels to one zone

Operation Controls:

Change Volume

- Set LED to 'Volume'.
- Push rotary button once
- Rotate the button to desired volume.
- The LEDs show volume level
- Push button once to return back to main menu

Change Routing

- Set LED to 'Routing'.
- Push rotary button once
- Rotate the button to desired source.
- The LEDs show selected source
- Push button once to return back to main menu

Change Bass

- Set LED to 'Bass'.
- Push rotary button once.
- Rotate the button to desired bass level.
- The LEDs show selected level.
- In zero position all LEDs are off.
- Increasing causes the upper LEDs to illuminate.
- Decreasing causes the lower LEDs to illuminate.
- Push button once to return back to main menu

Change Treble

- Set LED to 'Treble'.
- Push rotary button once.
- Rotate the button to desired treble level.
- LEDs illuminate according to the selected level.
- In zero position all LEDs are off.
- Increasing causes the upper LEDs to illuminate.
- Decreasing causes the lower LEDs to illuminate.
- Push button once to return back to main menu.

Pre-Fade Listen

- Press PFL button
- Selected source now plays through built-in loudspeaker

Save settings

- Hold the rotary button of Zone 1 and Zone 2 for 3 seconds