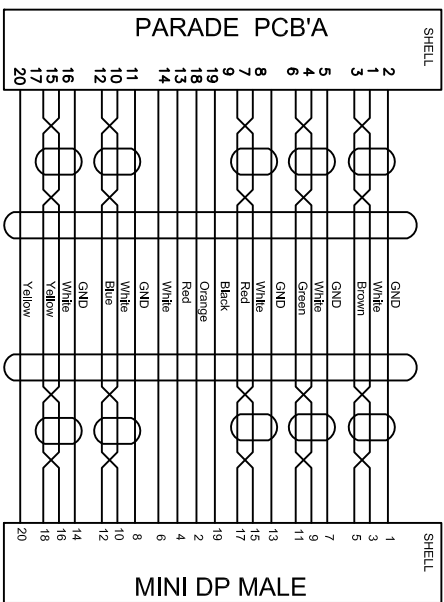
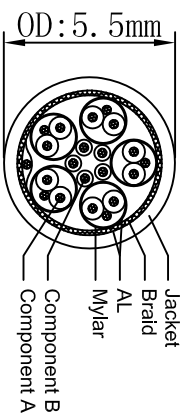
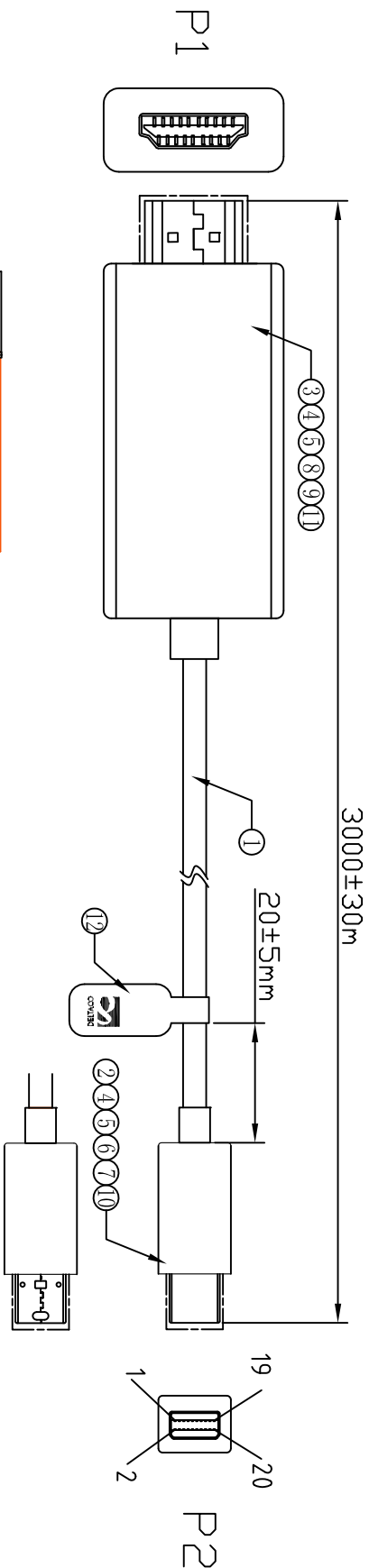


RoHS Compliant

REV A0 DESCRIPTION OF CHANGE INITIAL RELEASE

DATE 2011-07-09



- NOTES:
- ELECTRICAL PROPERTIES:
 - 100% open and short test.
 - Conductor resistance: 5 OHMS
 - Insulation resistance: 10 MEGOHMS
 - Hi pot: DC300V/0.01S
 - Audio & Video test, Output resolution: 1920*1080 P
 - All material be RoHS compliant.

NO.	Material name	Item number	Specifications Description	Quantity
12	Tag	AW-RQ0298	White background, Black character (DP-HDMI302)	1Pcs
11	Lid	SI-M10027	HDMI (D) White Shell	1Pcs
10	Lid	SI-M10124	Mini DP White Shell	1Pcs
9	Shell	SI-M10025	HDMI White Shell (smooth)	1Pcs
8	Dust cap	OR-0022	HDMI Dust cap	1Pcs
7	Dust cap	OR-0007	Mini DP Dust cap	1Pcs
6	Shell	SI-M10070	Mini DP White Shell (smooth)	1Pcs
5	PVC	PVC-0002	60P White PVC	1.45g
4	PE	PE-0001	LDPE (Rolls)	5.60g
3	Connector	BE-F-014-04-PR	HDMI (V) PCB A (Parade), gold-plated	1Pcs
2	Connector	CK-G0001	Mini DP (D), gold-plated	1Pcs
1	Cable	DP0-55-3201	UL20276(32AWG)*1P-D+AL/AV*5C-32AWG*5C-AV/AL+BRAID, JACKET PVC WHITE, OD=5.5±0.20mm L=2950+15/-0mm	1Pcs

图号 (DWG NO)	XV-A0136	单位 (UNIT):	MM		TITLE	Mini DP to HDMI Cable
版次 (REV):	A0	比例 (SCALE):	1:1			
设计 (DESIGN)	Dean	审核 (CHECKED)		DIMENSIONS ARE IN MILLIMETERS TOLERANCES: LINEAR: X ±1.0 XX ±0.15 XXX ±0.1 XXXX ±0.05 ANGULAR: ±0.5	PART NO	DP-HDMI302
核准 (APPROVED)						